

# Arbortext® IsoDraw Foundation®

Create High-Quality Technical Illustrations Quickly and Cost-Effectively

Boost productivity with the industry's most powerful technical illustration tool: Arbortext IsoDraw Foundation. Create from scratch, photo-trace, or reuse existing data (scans, legacy illustrations, etc.) to develop high-quality technical illustrations. Automatically prepare illustrations for print, CD, or the Web, saving time, effort and money.

Technical illustrations are essential to technical publications; high-quality illustrations improve the readability of publications, reduce service and operating errors, and improve customer satisfaction. Arbortext IsoDraw Foundation is designed specifically for technical illustrators. It provides all the capabilities you need to create and deliver high-quality illustrations in all required formats and media.

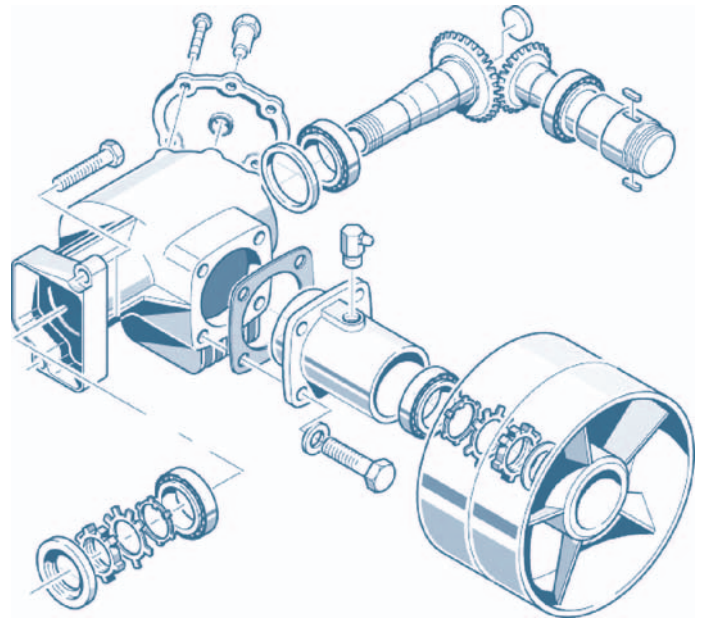
## Key Benefits

### Increase Productivity

- Boost illustrator productivity by a minimum of 30% by providing specialized tools to speed common technical illustrator tasks
- Minimize both training cost and ramp-up time through an intuitive user interface

### Lower Costs

- Minimize effort by facilitating reuse of existing designs and scanned drawings
- Reduce cost for redrawing technical illustrations



Arbortext IsoDraw Foundation enables technical illustrators to create high-quality illustrations from scratch, photo-trace or existing data.

### Speed Time-to-Market

- Prepare illustrations for publishing in multiple formats and for delivery in both print and electronic media
- Reduce the time to create new, or photo-trace existing technical illustrations

### Support Industry Standards

- Supports established industry standards for Technical Illustrations, including ATA, S1000D (Aerospace and Defense), J2008 (automobile) and CALS (defense)
- Support the standards defined by W3C (Worldwide Web Consortium) for the use of illustrations on the Internet (WebCGM, SVG and PNG)

## Features

### Specialized Tools for Drawing in Perspective

Work with a number of specialized drawing functions such as alignment of elements to perspective grids, perspective rotation, and reflection—an elegant solution to one of the toughest drawing challenges: finding and creating ellipses. It also features a number of versatile projection tools for penetration curves or for manipulating perspective views.

### Graphical Quality

All Arbortext IsoDraw Foundation illustrations are displayed automatically with the thick/thin technique—standard for technical illustrations. This technique makes illustrations much easier to understand. Arbortext IsoDraw automatically adds line shadowing, colors, hatchings, and patterns.

### Shaft Tool

Generate complex gears with customized parameterization in just minutes. Grooves, gearwheels, shaft ends, and many other details can be adapted within seconds.

### Macro Language

An extensive macro language enables users to automate processes, extend the software functionality, and validate designs.

### Callout Tool

Simplify your work with callout capabilities, such as:

- callouts are automatically renumbered when changes are made
- callout styles are freely definable
- callouts can also be generated automatically on objects or object groups, as necessary

### Comprehensive Standard Parts Library

Get access to over 2,200 views of standard parts. Selected parts are incorporated in the illustration in the correct orientation, perspective and size.

### Work With Raster Graphics or Photos

Easily reuse legacy data using Arbortext IsoDraw Foundation's tools for tracing photos and videos, along with a comprehensive raster editor for processing scanned images.

### From 2D CAD to Perspective Illustration

Arbortext IsoDraw provides special functions for editing 2D CAD data, including an extrusion tool to create perspective views from a flat 2D view, and a tool for creating rotational surfaces from planes. Both tools automatically remove hidden lines and adjust line thickness.

### High-Quality Filters for All Major Graphic Formats

Supports all major graphic formats: WebCGM, CGM, SVG, PNG, JPEG, DWG, IGES, DXF, HPGL, Adobe Illustrator, WMF, EPS, TIFF, PICT, PCX, BMP, CALS Raster, Text excerpt, Interleaf ASCII, and FrameMaker MIF.

### Create Technical Illustrations Automatically from 3D CAD Designs

With the optional Arbortext IsoDraw 3D Extension, Arbortext IsoDraw Foundation capabilities are expanded to create high-quality technical illustrations directly from Pro/ENGINEER and other CAD file formats. This capability significantly reduces the workload of the CAD designer, reduces redraw time, frees the technical illustrator to optimally position the model for illustration purposes, and enables them to automatically create the illustration. By maintaining a link to the original 3D model, and by automatically updating illustrations as designs change, Arbortext IsoDraw with the 3D Extension enables companies to develop documentation faster, reduce risk, and shorten time-to-market.

### Preparation for Electronic Delivery

Callouts can be easily converted into hotspots (hyperlinks) to aid graphic navigation. Hotspots enable readers to immediately jump to the relevant assembly list or part list by simply clicking on an assembly in an illustration.

### Learn More

For more information about Arbortext IsoDraw, or the optional Arbortext IsoDraw 3D Extension that enables Arbortext IsoDraw to incorporate 3D CAD data, visit [www.ptc.com/go/arbortextproducts](http://www.ptc.com/go/arbortextproducts)